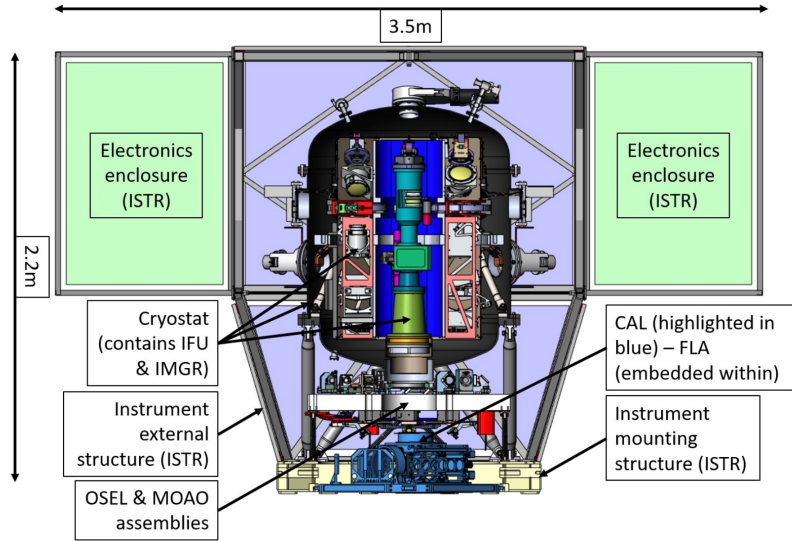
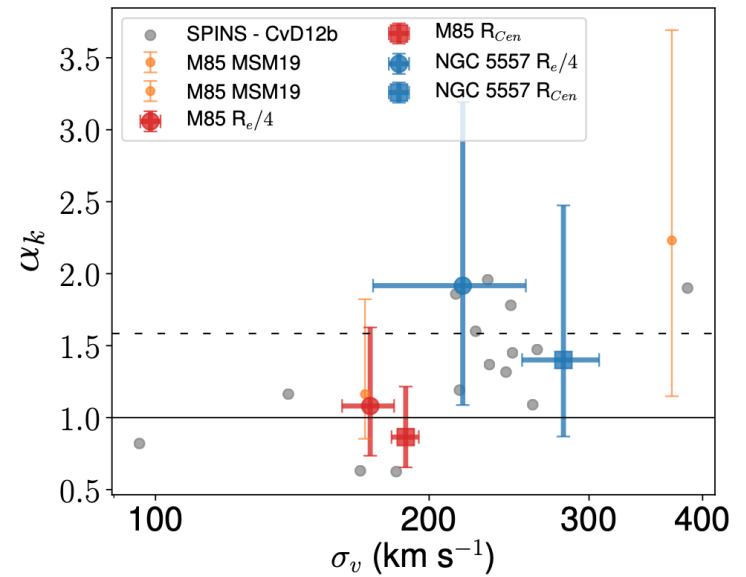


# Suresh Sivanandam – Interim Director

## SHARP LAB (Office: AB101A, Lab: 73B)



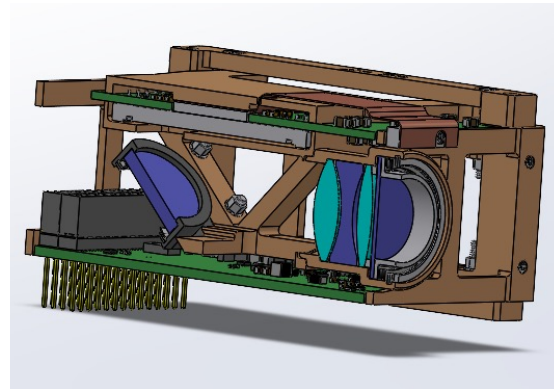
## GIRMOS – Gemini IR Multi-Object Spectrograph (First Light 2027)



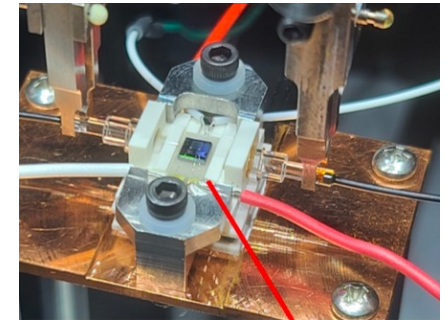
## Stellar Populations of Nearby Galaxies – IMF Measurements



MAPS – MMT AO Upgrade



LUVCam (Launch 2024)



Astrophotonics